



SILENT DUAL series



SILENT DUAL series

AUTONOMOUS AND SMART AXIAL EXTRACTOR FAN THAT SELF-ADJUSTS THE WAY IT OPERATES DEPENDING ON THE ENVIRONMENTAL CONDITIONS AND VENTILATION DEMAND THROUGH TWO SENSORS, ONE PIR DETECTOR AND ONE HUMIDITY SENSOR, WITH A SIMPLE 2-WIRE INSTALLATION.



OPERATION:

AUTONOMOUS

No need for interaction with the user!!

SMART

Incorporation of a sophisticated control algorithm to allow the extractor fan to self-adjusts the set points according to the environmental conditions.

The extractor fan performs function of where it is installed (environmental conditions) and when it really should run:

- to solve operational problems such as in installations with permanent high or low humidity level.
- To run at the necessary speed function of the different possible occurrences in the bathroom as presence detection, sudden increase of humidity (shower) or environmental condition changes.

CONTINUOUS CONTROL

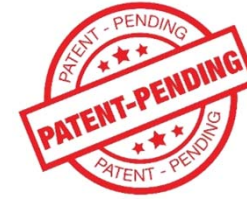
Speed controllable AC motor to reach the performance according to the real needs of ventilation;

DCV concept to improve energy consumption and reduce noise level



OPERATION :

The algorithm manages 4 regulation levels of the motor:



NO PIR DETECTION

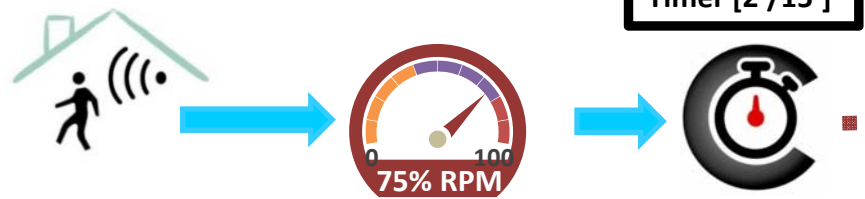
NO "HUMIDITY OCCURENCE" :

Instantaneous HR < Average ambient HR
NO PIR detection



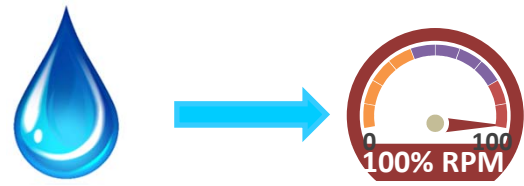
PIR DETECTION :

Instantaneous HR < Average ambient HR
PIR detection



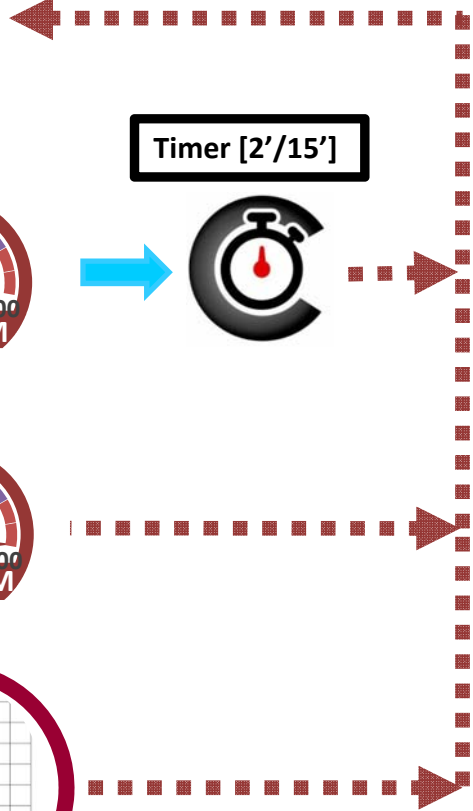
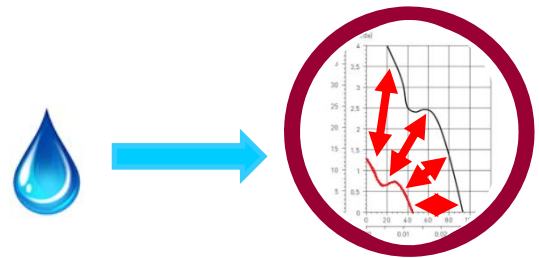
SUDDEN HUMIDITY CHANGE:

Instantaneous HR < Average ambient HR
"Sudden change" = "humidity occurence"



SLOW HUMIDITY CHANGE :

Instantaneous HR > Average ambient HR
"Light change"





PERFORMANCE:

DUAL CONCEPT

- 2 Air entries → Front + Perimeter
- 2 Sensors → Motion and humidity sensors
- 2 Operating modes → Permanent + Intermittent
- 2 Wires → Connection to supply with only 2 wires.

AERODYNAMICS

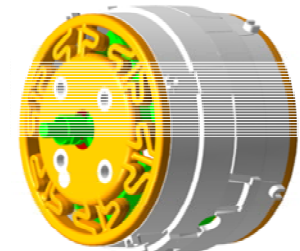
Frontal + perimeter air inlet.

Air performance similar to a frontal air intake but with addition of a trim. Optimized to give higher pressure at low airflow rates than classic “Design” fans.



SILENT-BLOCK

Motor mounted in its support with silent-block to reduce vibrations and then noise transmission

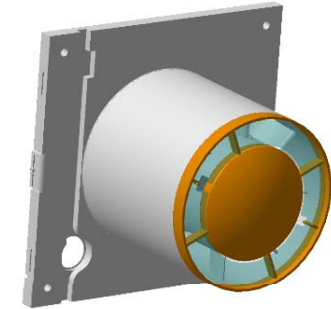




INSTALLATION:

BACKDRAUGHT SHUTTER

Backdraught shutter mounted to the main support with integrated outlet fairing to improve aerodynamic performances



BI-MATERIAL COVER

Bi-material cover to ensure **IP45 grade protection** to the electronic PCB, the sensors and the terminals. Part of the cover, right over the terminals, opens thanks to a rubber hinge from the same piece, to connect the fan to supply.

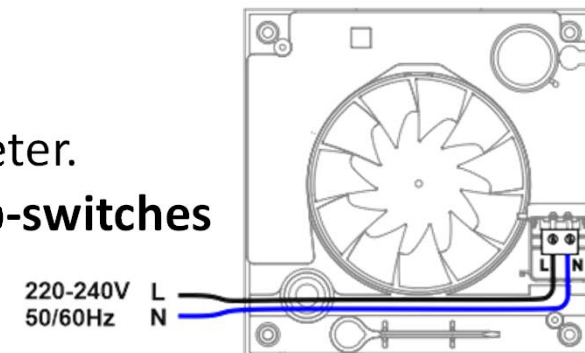


PLUG & PLAY

Easy **connection** with only **two wires** (L, N).

No need for the user/installer to set up humidity parameter.

Simple operating mode selection and run-on time by **dip-switches**





INSTALLATION:

MOUNTING AT THE WALL LEVEL

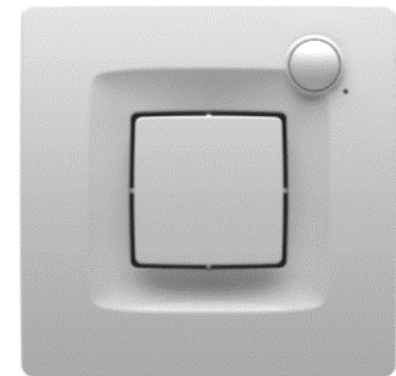
No gap between the extractor and the wall.



PIR DETECTOR

PIR (passive infra-red) detector integrated with a wide 180° detection angle (installed on the wall).

Improved detection comparing with all the products available today





MORE....:

ONE VERSION / 3 SIZES

RH+PIR version Ø 100, 125 and 150 mm

PILOT LIGHT

Integrated LED indicator light

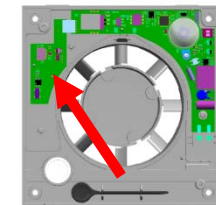
MODULAR ELECTRONICS

Basic PCB with quick connector to link new functions (BLE + RTC ...), by the user or in factory

EFFICIENT PRODUCT READY FOR FUTURE

Fan already prepared for a possible future revision of the ErP regulation including all kind of fan unit : it incorporates sensors and operates as DCV

~~CZ
CHZ
CIZ
CDZ
CRIZ
DESIGN...~~





RANGE



SILENT DUAL 100

SILENT DUAL 200

SILENT DUAL 300

220-240V | 50/60Hz | -5/40°C | Cl. II | IP 45

With speed controllable **AC shadow pole motor** and **PIR detector + humidity sensor**.

